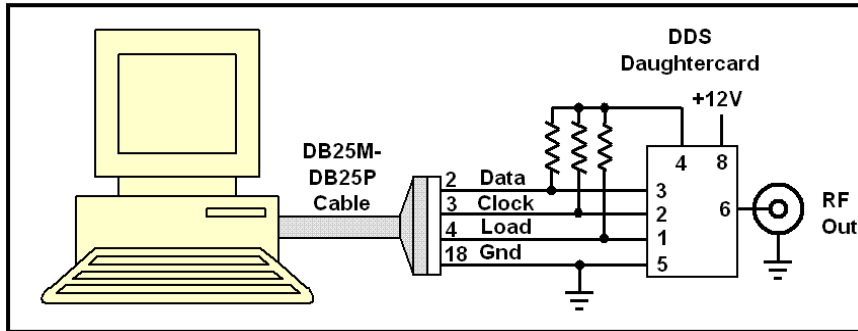


The original DDS Daughter card was presented here:
<http://www.njqrp.org/dds/index.html>

The software to program the DDS Chip is linked on this page:
<http://www.njqrp.org/dds/waystouse.html>



The Parallel port cable pin out. Note the pull-up resistors. Use about 2.2K.