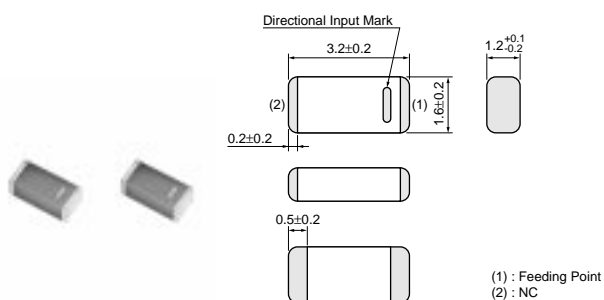


# Chip Multilayer Antennas



Terminal of "NC" should be connected to the floating land.

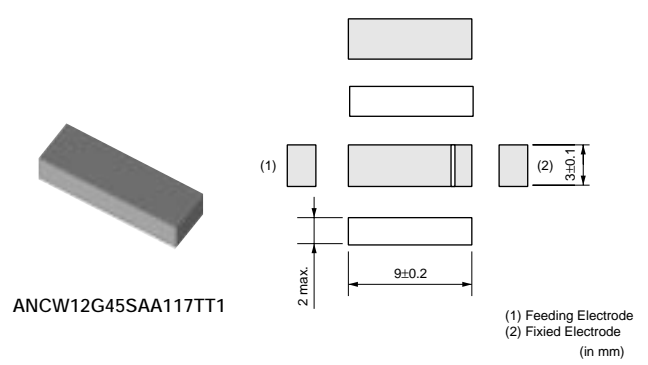
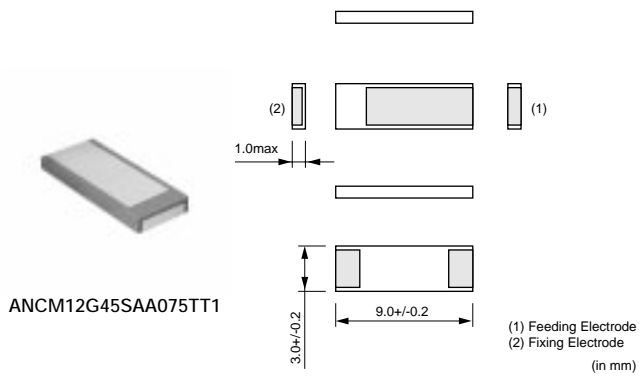
All the technical data and information contained herein are subject to change without prior notice. (in mm)

Part Number	Nominal center frequency at input V.S.W.R (fo) (MHz)	Tolerance of center frequency at input V.S.W.R (MHz)	Nominal Impedance (ohm)	Power capacity (mW)
LDA312G7313F-237	2730.0	2730.0 ±68.0 MHz	50	500 max.
LDA312G8513F-238	2850.0	2850.0 ±72.0 MHz	50	500 max.
LDA312G9813F-239	2980.0	2980.0 ±75.0 MHz	50	500 max.
LDA313G0313F-240	3030.0	3030.0 ±76.0 MHz	50	500 max.
LDA313G1413F-241	3140.0	3140.0 ±79.0 MHz	50	500 max.
LDA313G2713F-242	3270.0	3270.0 ±82.0 MHz	50	500 max.
LDA313G3313F-243	3330.0	3330.0 ±84.0 MHz	50	500 max.
LDA313G5813F-244	3580.0	3580.0 ±90.0 MHz	50	500 max.
LDA313G8813F-245	3880.0	3880.0 ±98.0 MHz	50	500 max.
LDA315G2013F-246	5200.0	5200.0 ±135.0 MHz	50	500 max.
LDA315G5013F-247	5500.0	5500.0 ±143.0 MHz	50	500 max.
LDA315G8013F-248	5800.0	5880.0 ±151.0 MHz	50	500 max.
LDA316G0013F-249	6000.0	6000.0 ±157.0 MHz	50	500 max.
LDA316G2013F-250	6200.0	6200.0 ±162.0 MHz	50	500 max.
LDA317G8013A-251	7800.0	7800.0 ±225.0 MHz	50	500 max.

Operating Temperature: -40°C to +85°C

**Note** • This catalog has only typical specifications because there is no space for detailed specifications. Therefore, please approve our product specifications or transact the approval sheet for product specifications before ordering. Especially, please read rating and **CAUTION** (for storage, operating, rating, soldering, mounting and handling) in them to prevent smoking and/or burning, etc.  
• You are able to read a detailed specifications in the website (<http://search.murata.co.jp/>) before to require our product specifications or to transact the approval sheet for product specifications.

# Chip Dielectric Antennas



Part Number	Fo (MHz)	Bandwidth (MHz)	VSWR (max.)
<b>ANCG SERIES</b>	-	-	-
<b>ANCM11G57SAA089</b>	1575.42	2	3.0
<b>ANCM12G45SAA075</b>	2450.0	100	2.5
<b>ANCM2 SERIES</b>	-	-	-
<b>ANCW12G45SAA117</b>	2450.0	100	2.5

ANCG series are available on ground plane. Please contact us for detail specifications.