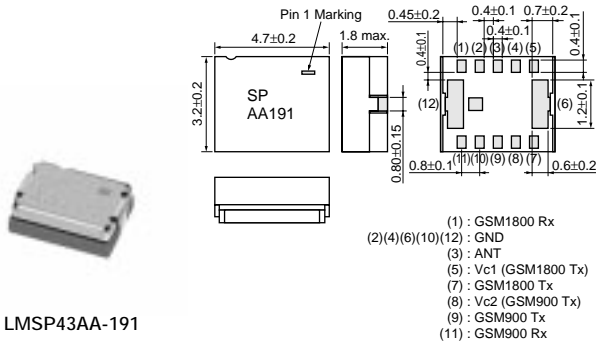


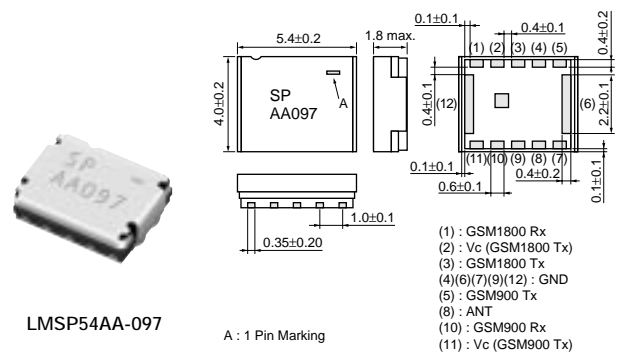
RF Diode Switches

SWITCHPLEXER®



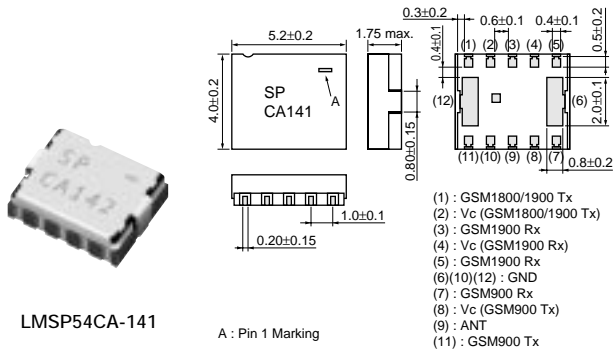
LMSP43AA-191

All the technical data and information contained herein are subject to change without prior notice. (in mm)



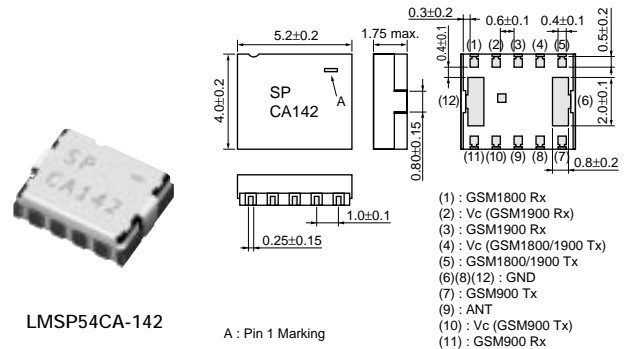
LMSP54AA-097

All the technical data and information contained herein are subject to change without prior notice. (in mm)



LMSP54CA-141

All the technical data and information contained herein are subject to change without prior notice. (in mm)



LMSP54CA-142

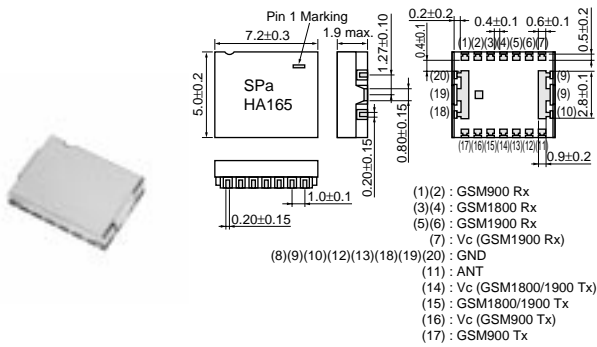
All the technical data and information contained herein are subject to change without prior notice. (in mm)

Part Number	Frequency Range (Band1 Tx) (MHz)	Frequency Range (Band1 Rx) (MHz)	Frequency Range (Band2-1 Tx) (MHz)	Frequency Range (Band2-1 Rx) (MHz)	Frequency Range (Band2-2 Tx) (MHz)	Frequency Range (Band2-2 Rx) (MHz)	Insertion Loss (Band1 Tx-ANT) (dB)	Insertion Loss (ANT-Band1 Rx) (dB)	Insertion Loss (Band2 Tx-ANT) (dB)	Insertion Loss (ANT-Band2-1 Rx) (dB)	Insertion Loss (ANT-Band2-2 Rx) (dB)
LMSP43AA-191	ftl:897.5 ±17.5MHz	942.5 ±17.5MHz	fth:1747.5 ±37.5MHz	1842.5 ±37.5MHz	-	-	1.3 max. (at 25°C)	1.0 max. (at 25°C)	1.15 max. (at 25°C)	0.9 max. (at 25°C)	0.9 max. (at 25°C)
LMSP54AA-097	ftl:897.5 ±17.5MHz	942.5 ±17.5MHz	fth:1747.5 ±37.5MHz	1842.5 ±37.5MHz	-	-	1.2 max. (at 25°C)	1.0 max. (at 25°C)	1.2 max. (at 25°C)	1.0 max. (at 25°C)	1.0 max. (at 25°C)
LMSP54CA-141	ftl:897.5 ±17.5MHz	942.5 ±17.5MHz	fdth:1747.5 ±37.5MHz	1842.5 ±37.5MHz	fpth:1880.0 ±30.0MHz	1960.0 ±30.0MHz	1.2 max. (at 25°C)	1.0 max. (at 25°C)	1.55 max. (at 25°C)	1.2 max. (at 25°C)	1.2 max. (at 25°C)
LMSP54CA-142	ftl:897.5 ±17.5MHz	942.5 ±17.5MHz	fdth:1747.5 ±37.5MHz	1842.5 ±37.5MHz	fpth:1880.0 ±30.0MHz	1960.0 ±30.0MHz	1.2 max. (at 25°C)	1.0 max. (at 25°C)	1.55 max. (at 25°C)	1.2 max. (at 25°C)	1.2 max. (at 25°C)

Note • This catalog has only typical specifications because there is no space for detailed specifications. Therefore, please approve our product specifications or transact the approval sheet for product specifications before ordering. Especially, please read rating and CAUTION (for storage, operating, rating, soldering, mounting and handling) in them to prevent smoking and/or burning, etc. • You are able to read a detailed specifications in the website (<http://search.murata.co.jp/>) before to require our product specifications or to transact the approval sheet for product specifications.

RF Diode Switches

SWITCHPLEXER® with Integrated SAW Filter

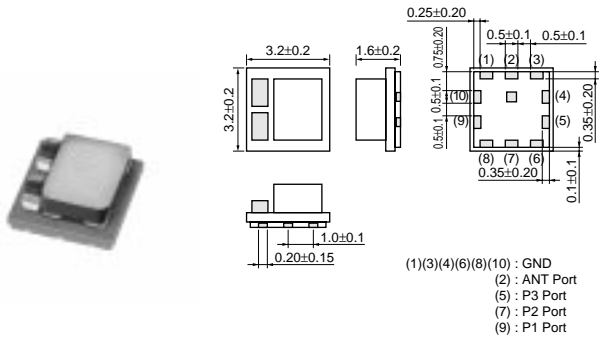


All the technical data and information contained herein are subject to change without prior notice. (in mm)

Part Number	Frequency Range(Band1 Tx) (MHz)	Frequency Range(Band1 Rx) (MHz)	Frequency Range(Band2 Tx) (MHz)	Frequency Range(Band2 Rx) (MHz)	Frequency Range(Band3 Tx) (MHz)	Frequency Range(Band3 Rx) (MHz)	Insertion Loss (Band1 Tx-ANT) I) (dB)	Insertion Loss (ANT-Band1 Rx) I) (dB)	Insertion Loss (Band2 Tx-ANT) I) (dB)	Insertion Loss (ANT-Band2 Rx) I) (dB)	Insertion Loss (Band3 Tx-ANT) I) (dB)	Insertion Loss (ANT-Band3 Rx) I) (dB)
LMSP7CHA-165	ftl:897.5 ±17.5 MHz	942.5 ±17.5 MHz	fdth:1747.5 ±37.5 MHz	fdrh1842.5 ±37.5 MHz	fpth:1880.0 ±30.0 MHz	fdrh:1960.0 ±30.0 MHz	1.20 max. (at 25°C)	3.5 max. (at 25°C)	1.55 max. (at 25°C)	4.3 max. (at 25°C)	1.55 max. (at 25°C)	4.0 max. (at 25°C)

Note • This catalog has only typical specifications because there is no space for detailed specifications. Therefore, please approve our product specifications or transact the approval sheet for product specifications before ordering. Especially, please read rating and **CAUTION** (for storage, operating, rating, soldering, mounting and handling) in them to prevent smoking and/or burning, etc.
• You are able to read a detailed specifications in the website (<http://search.murata.co.jp/>) before to require our product specifications or to transact the approval sheet for product specifications.

Triplexer with Integrated SAW Filter



All the technical data and information contained herein are subject to change without prior notice. (in mm)

Part Number	Frequency Range(P1)(f1) (MHz)	Frequency Range(P2)(f2) (MHz)	Frequency Range(P3)(f3) (MHz)	Insertion Loss {ANT-P1}(in f1) I (dB)	Insertion Loss {ANT-P2Open}(in f2) III (dB)	Insertion Loss {ANT-P2}(in f2) I (dB)	Insertion Loss {ANT-P3}(in f3) I (dB)
LMTP33AA-148	1575.50 ±1.5 MHz	859.0 ±35 MHz	1920.0 ±70.0 MHz	2.2 max. (at 25°C)	0.9 max. (at 25°C)	1.5 max. (at 25°C)	0.95 max. (at 25°C)

Note • This catalog has only typical specifications because there is no space for detailed specifications. Therefore, please approve our product specifications or transact the approval sheet for product specifications before ordering. Especially, please read rating and **CAUTION** (for storage, operating, rating, soldering, mounting and handling) in them to prevent smoking and/or burning, etc.
 • You are able to read a detailed specifications in the website (<http://search.murata.co.jp/>) before to require our product specifications or to transact the approval sheet for product specifications.