

MIB-II

DEFINES THE VARIABLES TO MANAGE THE
TCP/IP PROTOCOL STACK

170 VARIABLES

RFC 1213
SMIv1

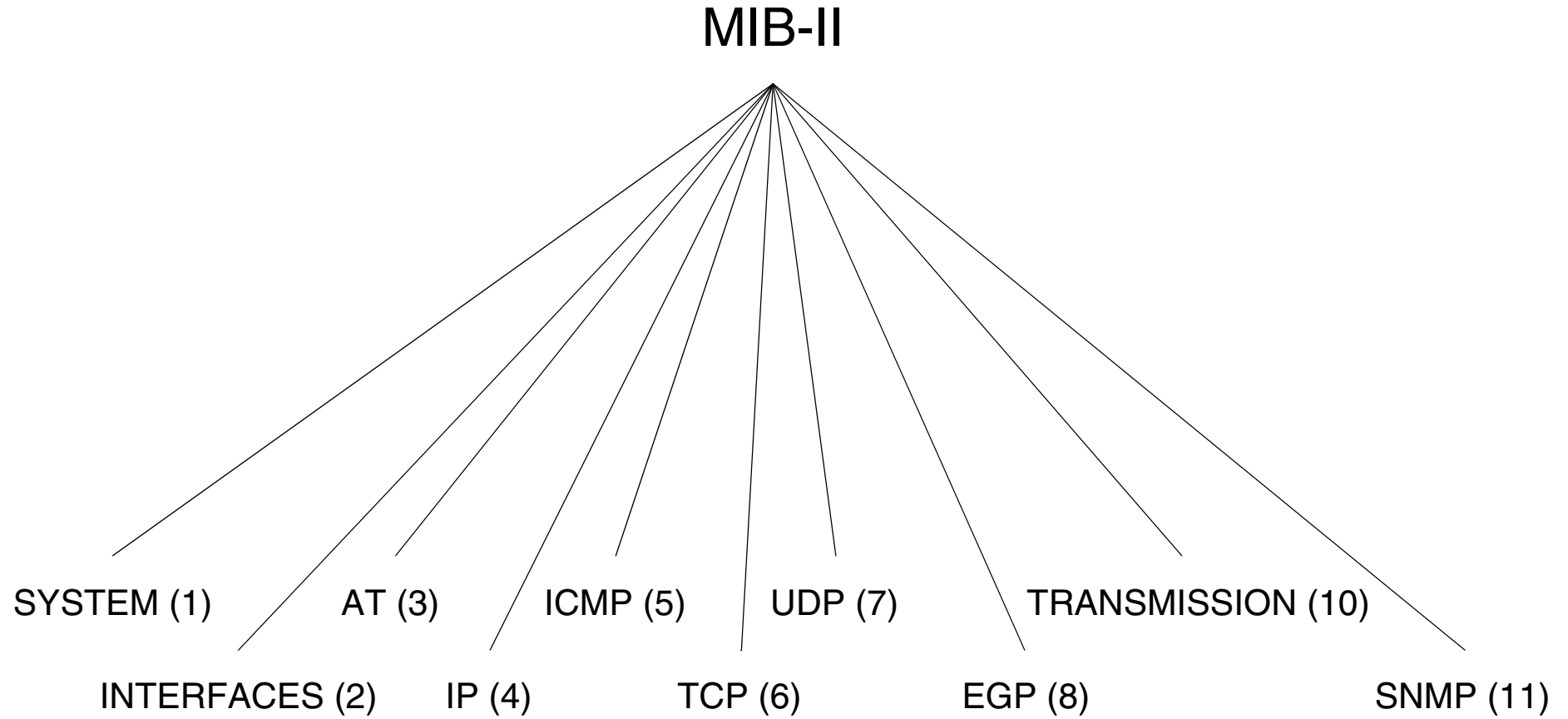
ENHANCEMENT OF MIB-I

RFC 1156

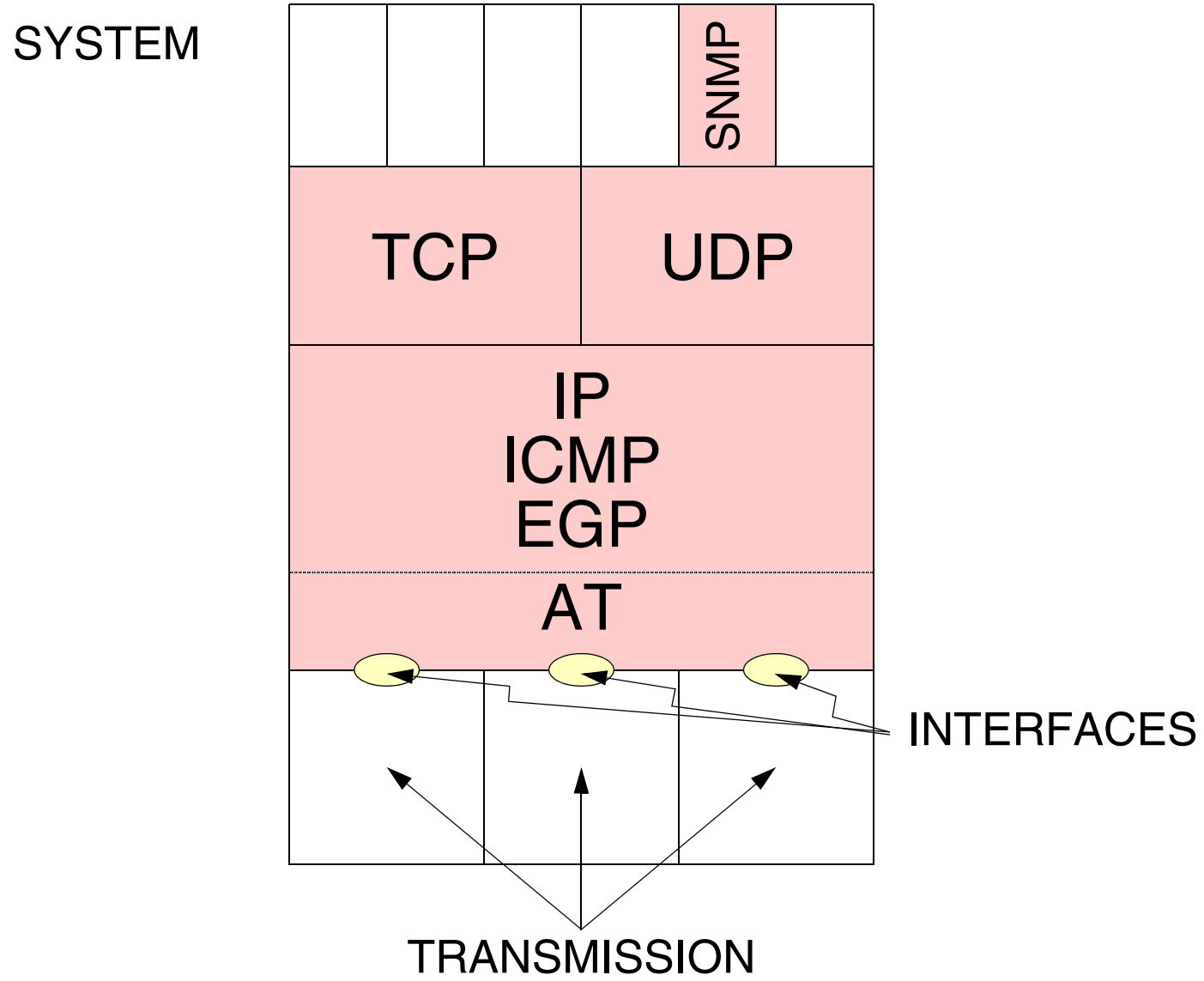
DESIGN CRITERIA

- ESSENTIAL FOR FAULT OR CONFIGURATION MANAGEMENT
 - ONLY WEAK CONTROL OBJECTS
 - SMALL NUMBER OF OBJECTS
 - AVOID REDUNDANCY
 - EVIDENCE OF UTILITY
 - DO NOT DISTURB NORMAL OPERATION
 - NO IMPLEMENTATION SPECIFIC ISSUES

STRUCTURE



MIB-II GROUPS IN A PROTOCOL STACK



NEW VERSIONS

SYSTEM GROUP → SNMPv2 MIB (RFC 3418)

INTERFACES (IF) GROUP → IF-MIB (RFC 2863)

ADDRESS TRANSLATION (AT) GROUP → DEPRECATED

IP & ICMP GROUPS → IP-MIB (RFC 2011)

TCP GROUP → TCP-MIB (RFC 2012)

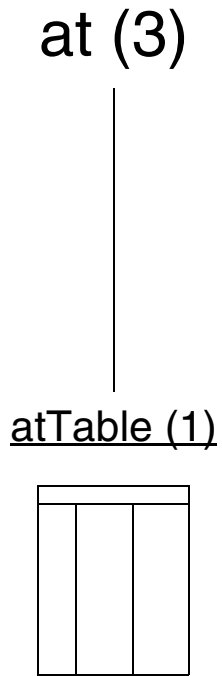
UDP GROUP → UDP-MIB (RFC 2013)

EGP GROUP → OUTDATED (BGP)

TRANSMISSION GROUP → IS PLACEHOLDER

SNMP GROUP → SNMPv2 MIB (RFC 3418)

ADDRESS TRANSLATION GROUP

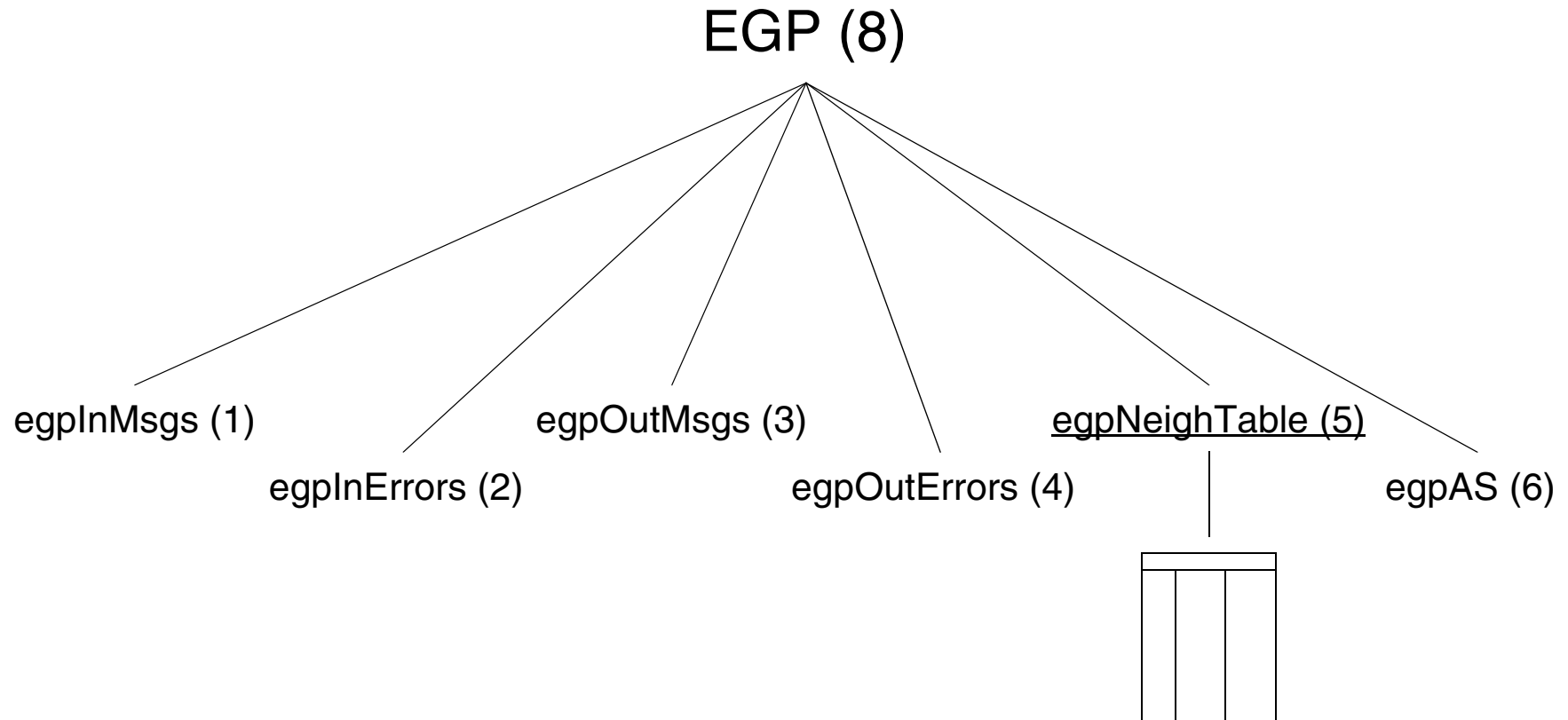


- DEPRECATED STATUS

atTable

atIndex	atPhysAddress	atNetAddress
1		aa.bb.cc.dd
2		ee.ff.gg.hh
n		ww.xx.yy.zz

EGP GROUP



TRANSMISSION GROUP

transmission (10)

